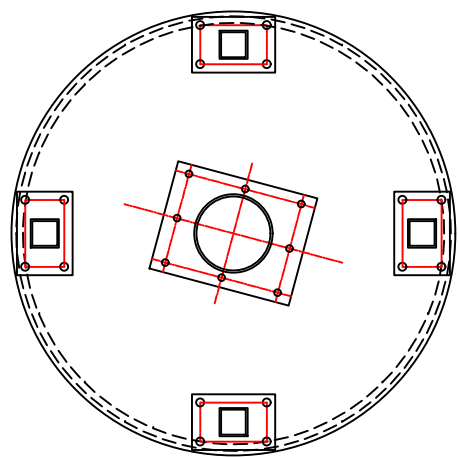
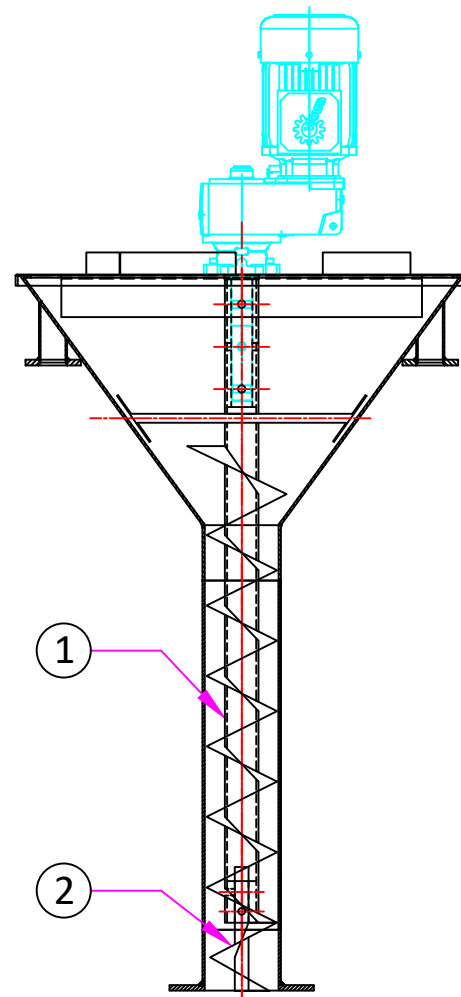


FRONT VIEW



VIEW E-E



SECTION F-F

QTY: 1 NO. ASSEMBLY

SR.NO.	DESCRIPTION	QTY.	SPECIFICATION
08	DRIVE (GEARED MOTOR)	01	
07	QUICKON COUPLING	02	
06	AUGER LOWER FLANGE	01	
05	AUGER PIPE	01	
04	AUGER LID	01	
03	AUGER FUNNEL	01	
02	AUGER SCREW TIP	01	
01	AUGER SCREW	01	

		CLIENT:	
		CONSULTANT:	
		PROJECT:	
DRN		GA OF AUGER (AUGER ASSEMBLY)	
CHKD			
APPD			
SCALE	-		
JOB No.:	SHEET 1 OF 1	DRG No.: -	REV 0